

Masoneilan™ Models 525 and 526 Pressure Regulators

Steam, Gas or Liquid Service

Pressure Reducing, Back
Pressure and Differential
Pressure Control



Table of contents

Features.....	3
General Data.....	4
Numbering System.....	4
Body Ratings and End Connections	4
Standard Trim Materials.....	5
Bonnet Packing.....	5
Flow Coefficients - C_v	5
Capacity Charts.....	6
Steam.....	6
Air	9
Water	10
Materials of Construction.....	12
Dimensions.....	15
B and C Dimensions.....	16
500 Series Weights.....	17

Features

The Masoneilan Models 525 and 526 double seated regulators from Baker Hughes are designed to handle a wide variety of process pressure control applications. Construction features have been carefully selected to provide optimum performance. Those include:

Top and Bottom Guiding

A well accepted industry standard particularly suited for double seated plugs to provide adequate support against side loads.

High Capacity with Low Recovery

Flow capacity is at top levels for contemporary double seated regulators and is attained with very little pressure recovery as indicated by a high critical flow factor.

Reduced Capacity Trim

0.4 Factor Trim - the most practical double seated trim design giving a substantial reduction in capacity while maintaining desirable flow characteristics.

High Performance Materials

Materials of construction have been selected for high performance and long life when handling the high pressure drop capabilities of the valve.

High Temperature Applications

For temperatures over the rating of the diaphragm material, the regulator must be mounted with the actuator below the centerline of the regulator body. The diaphragm will be protected from the high temperature by a condensate barrier in the sensing line and actuator diaphragm case. If installed otherwise, an adequate condensate barrier must be incorporated. Consult factory for more information.

Configurations

Models 525 and 526 Regulators are designed for use with the 10900 Series Actuators for reducing, back pressure and differential pressure applications. Refer to 10900 Actuators Technical Specifications ref. 19537 for actuator selection. The following pages provide the necessary technical information required to specify the Models 525 and 526 regulators.

General Data

Function

Pressure Reducing	525
Differential Pressure Reducing	525-50
Back Pressure	526
Differential Back Pressure	526-50

Service

Steam, Gas, Liquids

Body

Type: High Capacity Globe with Double Seated
Top and Bottom Guided Plug

Bonnet

Type: Bolted, Standard
Bolted, Extension - Optional

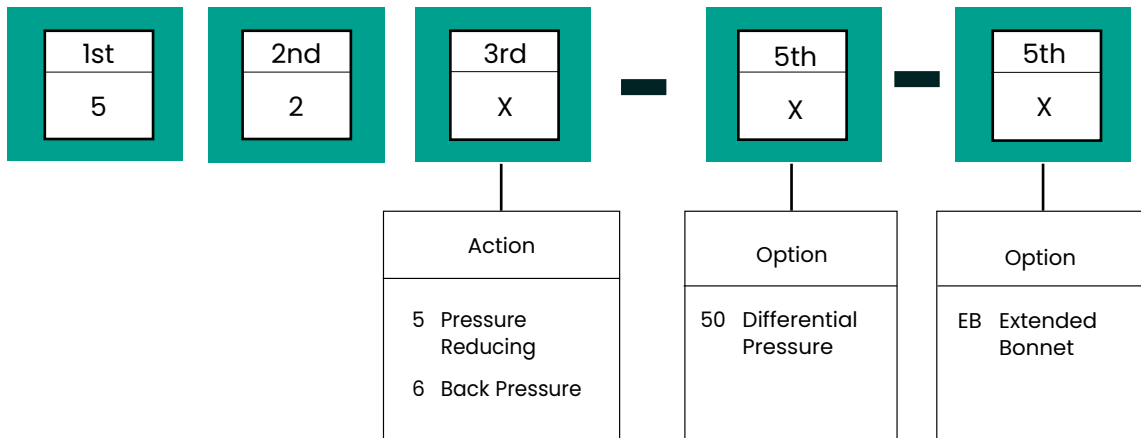
Trim

Plug Type: Disc
Seat Ring: Threaded
Guide: Heavy Top and Bottom Guided
Capacity: Full Area, Reduced Capacity in All Sizes
Characteristic: Quick Opening

Actuator

Type: 10900 Spring Diaphragm

Numbering System



Body Ratings and End Connections

525/526 Double Seat Regulators:

- Flange Connections according to: ASME Class 150, 300 and 600
ISO PN 20, 50 and 100
EN PN 16, 25 and 40 (Face to Face according to ASME 300)
- Socket Weld ends for sizes ≤ 2 "
- NPT Threaded for sizes ≤ 2 "

■ RF Flanged Δ RT Joint n Butt Weld m Socket Weld | Threaded

Valve Size		ASME Class and Equivalent PN		
inches	mm	150	300	600
¾	20	■ Δ m	■ Δ m	■ Δ m
1	25	■ Δ m	■ Δ m	■ Δ m
1½	40	■ Δ m	■ Δ m	■ Δ m
2	50	■ Δ m	■ Δ m	■ Δ m
3	80	■ Δ	■ Δ	■ Δ
4	100	■ Δ	■ Δ	■ Δ

Standard Trim Materials

Type	Plug	Seat Ring
Standard	316 St. St.	316 St. St.
Hard	316 St. St. w/hardfacing	316 St. St. w/hardfacing

Other options available on request. Please consult factory.

Bonnet Packing

Packing Options 525/526 and 525/526EB

Body Ratings: ASME Class 150 to 600

Ref. No.	Temperature Range		Materials	
	Description			
17	Packing	Standard Bonnet	Carbon Core/PTFE jacketed packing	
	Packing	Extension Bonnet	Carbon Core/PTFE jacketed packing	

Flow Coefficients – C_v

Model: 525/526

Ratings: ASME Class 150, 300, 600

Orifice Differential Area (mm ²)						3.19	3.05	3.14	3.08	3.08	4.45	4.34	4.48	4.52	
Travel			Stem Size			Rated C_v									
(mm)			(in)	(mm)											
¼	20	0.26	9.05	5/16	0.36	3.6	6	-	-	-	-	-	-	-	-
1	25	0.26	9.05	5/16	0.36	3.6	6	9	-	-	-	-	-	-	-
1½	40	0.26	9.05	5/16	0.36	-	-	8.4	14	21	-	-	-	-	-
2	50	0.26	9.05	3/8	9.53	-	-	-	14.4	21	36 ¹	-	-	-	-
3	80	0.26	9.05	1/2	12.7	-	-	-	-	-	30 ¹	54	75 ¹	-	-
4	100	0.26	9.05	1/2	12.7	-	-	-	-	-	-	50	75	125 ¹	-

1. For regulator with a size 3/4 actuator, ranges 150-450 psi or 150-300 psi or 400-750 psi, the C_v is limited to 60% of the nominal rating: 18 instead of 30, 21.6 instead of 36, 45 instead of 75, 75 instead of 125.

Regulator Capacity

Model 525 Series Pressure Reducing Regulator Capacity¹

Model 526 Series Back Pressure Regulator Capacity¹

Saturated Steam (lb/hr)

Inlet Pressure psig	Outlet Pressure psig	Rated C _v					
		6	9	21	36	75	125
30	½-10	500	780	1710	2930	6100	10100
	20	360	540	1250	2100	4450	7400
50	½-20	710	1090	2500	4270	8900	14600
	30	605	890	2100	3550	7350	12500
	40	440	670	1550	2600	5500	9100
60	½-25	820	1220	2930	4900	10100	17100
	40	655	980	2250	3900	8050	13500
	50	470	720	1550	2800	5850	97500
75	½-30	980	1460	3420	5850	12200	20800
	50	785	1200	2700	4650	9700	16000
	60	635	945	2200	3750	7800	13000
100	½-50	1220	1890	4450	7550	15800	26900
	60	1100	1650	3850	6550	14000	23000
	80	810	1200	2800	4800	10200	16500
125	½-60	1520	2380	5500	9150	19500	31800
	80	1300	2000	4500	7700	16000	27000
	100	1000	1500	3550	6050	12500	21000
150	½-70	1830	2750	6350	11000	23200	37800
	100	1500	2250	5150	8750	18500	30500
	125	1150	1600	3750	6400	13500	23000
160	½-80	1950	2900	6800	11500	24500	40000
	100	1650	2500	5700	10000	20500	34500
	120	1380	2100	4800	8100	17200	28500
	140	1070	1650	3900	6550	14000	23000
175	½-90	2100	3150	7300	12200	27000	44000
	100	1900	2850	6600	11000	24000	40000
	125	1600	2400	5600	9700	20000	33000
	160	910	1420	3240	5500	11600	19200
200	½-100	2450	3650	8550	14500	30500	50000
	125	2000	3100	7250	12000	25500	42500
	160	1550	2350	5450	9400	18500	32500
225	½-120	2700	4250	9400	16000	33500	56000
	160	2050	3100	7200	12500	26000	43000
250	½-130	2900	4500	1000	17000	36500	61000
	160	2450	3750	8500	14400	30500	51000

1. Regulator Capacity Tables are included to provide convenience on common applications and are not intended to establish application limitations. If your particular service conditions are not listed in the Regulator Capacity Tables, calculate the required C_v for selecting the optimum regulator size.

Regulator Capacity

Model 525 Series Pressure Reducing Regulator Capacity¹

Model 526 Series Back Pressure Regulator Capacity¹

Saturated Steam (kg/hr)

Inlet Pressure barg	Outlet Pressure barg	Rated C _v					
		6	9	21	36	75	125
2.1	0.03-0.7	227	354	776	1329	2767	4581
	1.4	163	245	567	953	2018	3357
3.4	0.03-1.4	322	494	1134	1937	4037	6622
	2.1	274	404	953	1610	3334	5670
	2.8	200	304	703	1179	2495	4128
4.1	0.03-1.7	372	553	1329	2223	4581	7756
	2.8	297	445	1021	1769	3651	6123
	3.4	213	3237	703	1270	2654	4423
5.2	0.03-2.1	445	662	1551	2654	5534	9435
	3.4	356	544	1225	2109	4400	7257
	4.1	288	429	998	1701	3538	5897
6.9	0.03-3.4	553	857	2018	3425	7167	12202
	4.1	499	748	1746	2971	6350	10433
	5.5	367	544	1270	2177	4627	7484
8.6	0.03-4.1	689	1080	2495	4150	8845	14424
	5.5	590	907	2041	3493	7257	12247
	6.9	454	680	1610	2744	5670	9525
10.3	0.03-4.8	830	1247	2880	4990	10523	17146
	6.9	680	1021	2336	3969	8391	13835
	8.6	522	726	1701	2903	6123	10433
11.0	0.03-5.5	885	1315	3084	5216	11113	18144
	6.9	748	1134	2585	4536	9299	15649
	8.3	626	953	2177	3674	7802	12927
	9.7	485	748	1769	2971	6350	10433
12.1	0.03-6.2	953	1429	3311	5534	12247	19958
	6.9	862	1293	2994	4990	10886	18144
	8.6	726	1089	2540	4400	9072	14969
	11	413	644	1470	2495	5262	8709
13.8	0.03-6.9	1111	1656	3878	6577	13835	22680
	8.6	907	1406	3289	5443	11567	19278
	11	703	1066	2472	4264	8391	14742
15.5	0.03-8.3	1225	1928	4264	7257	15195	25401
	11	930	1406	3266	5670	11793	19504
17.2	0.03-9.0	1315	2041	4536	7711	16556	27669
	11	1111	1701	3856	6532	13835	23133

¹ Regulator Capacity Tables are included to provide convenience on common applications and are not intended to establish application limitations. If your particular service conditions are not listed in the Regulator Capacity Tables, calculate the required C_v for selecting the optimum regulator size.

Regulator Capacity

Model 525 Series Pressure Reducing Regulator Capacity¹

Model 526 Series Back Pressure Regulator Capacity¹

Saturated Steam (scfm)

Inlet Pressure psig	Outlet Pressure psig	Rated C _v					
		6	9	21	36	75	125
30	½-10	165	255	570	980	2020	3450
	20	120	175	425	705	1500	2950
50	½-20	245	365	810	1410	2940	5000
	30	200	295	695	1180	2480	4200
	40	150	225	510	880	1800	3100
60	½-25	275	405	950	1620	3350	5700
	40	215	320	715	1250	2600	4400
	50	155	240	545	940	2000	3250
75	½-30	325	500	1160	2000	4150	6800
	50	2260	385	935	1580	3300	5400
	60	210	315	725	1300	2650	4300
100	½-50	425	650	1490	2490	5250	8450
	60	370	560	1350	2250	4650	7800
	80	270	415	950	1600	3450	5700
125	½-60	520	770	1810	3050	6500	10800
	80	440	660	1500	2550	5500	9150
	100	350	520	1250	2100	4350	7300
150	½-70	610	935	2140	3680	7750	12800
	100	500	765	1750	2850	3650	10500
	125	370	540	1250	2150	4550	7550
160	½-80	650	975	2350	3850	8150	13400
	100	555	850	1950	3350	7050	11500
	120	460	705	1600	2750	5850	9450
	140	340	510	1250	2050	4250	7200
175	½-90	710	1080	2450	4250	8950	14600
	100	645	970	2250	3750	8000	13000
	125	540	825	1900	3200	6800	11500
	160	310	470	1100	1850	4000	6600
200	½-100	825	1220	2850	4900	10200	16600
	125	705	1050	2400	4050	8550	14500
	160	525	800	1850	3150	6650	11000
225	½-120	895	1340	3050	5300	11000	18600
	160	715	1100	2500	4300	9000	14500
250	½-130	975	1460	3350	5700	1200	19900
	160	830	1300	2950	5000	10500	17000

1. Regulator Capacity Tables are included to provide convenience on common applications and are not intended to establish application limitations. If your particular service conditions are not listed in the Regulator Capacity Tables, calculate the required C_v for selecting the optimum regulator size.

Regulator Capacity

Model 525 Series Pressure Reducing Regulator Capacity¹

Model 526 Series Back Pressure Regulator Capacity¹

Air (m³/hr)

Inlet Pressure barg	Outlet Pressure barg	Rated C _v					
		6	9	21	36	75	125
2.1	0.03-0.7	280	433	968	1665	3432	5862
	1.4	204	297	722	1198	2549	5012
3.4	0.03-1.4	416	620	1376	2396	4995	8495
	2.1	340	501	1181	2005	4214	7136
	2.8	255	382	866	1495	3058	5267
4.1	0.03-1.7	467	688	164	2752	5692	9684
	2.8	365	544	1215	2124	4417	7476
	3.4	263	408	926	1597	33998	5522
5.2	0.03-2.1	552	850	1971	3398	7051	11553
	3.4	442	671	1589	2684	5607	9175
	4.1	357	535	1232	2209	4502	7306
6.9	0.03-3.4	722	1104	2532	4231	8920	14866
	4.1	629	951	2294	3823	7900	13252
	5.5	459	705	1614	2718	5862	9684
8.6	0.03-4.1	883	1308	3075	5182	11044	18349
	5.5	748	1121	2549	4332	9345	15546
	6.9	595	883	2124	3568	7391	12403
10.3	0.03-4.8	1036	1589	3636	6252	13167	21747
	6.9	850	1300	2973	4842	10789	17840
	8.6	629	917	2124	3653	7731	12828
11.0	0.03-5.5	1104	1657	3993	6541	13847	22767
	6.9	943	1444	3313	5692	11978	19539
	8.3	782	1198	2718	4672	9939	16565
	9.7	578	866	2124	3483	7221	12233
12.1	0.03-6.2	1206	1835	4163	7221	15206	24806
	6.9	1096	1648	3823	6371	13592	22087
	8.6	917	1402	3228	5437	11553	19539
	11	527	799	1869	3143	6796	11213
13.8	0.03-6.9	1385	2073	4842	8325	17330	28204
	8.6	1198	1784	4079	8661	14527	24636
	11	892	1359	3143	5352	11298	18689
15.5	0.03-8.3	1521	2277	5182	9005	18689	32602
	11	1215	1869	4248	7306	15291	24636
17.2	0.03-9.0	1657	2481	5692	9684	20728	33810
	11	1410	2209	5012	8495	17840	28883

¹ Regulator Capacity Tables are included to provide convenience on common applications and are not intended to establish limitations. If your particular service conditions are not listed in the Regulator Capacity Tables, calculate the required C_v for selecting the optimum regulator size.

Regulator Capacity

Model 525 Series Pressure Reducing Regulator Capacity¹

Model 526 Series Back Pressure Regulator Capacity¹

Water (gpm)

Inlet Pressure Minus Outlet Pressure psig	Rated C _v					
	6	9	21	36	75	125
10	18	28	65	110	230	380
15	23	35	78	140	280	460
20	26	40	90	160	330	550
25	30	45	100	180	370	600
30	33	50	115	200	400	660
35	35	53	120	210	440	720
40	38	56	130	230	470	760
45	40	60	140	240	500	800
50	42	54	145	250	510	830
60	46	70	160	280	560	920
70	50	75	170	300	610	1000
80	54	80	185	320	650	1100
90	56	85	200	340	700	1160
100	60	90	210	360	750	1250
120	65	98	225	390	800	1300
140	70	105	240	420	880	1400
160	75	115	260	460	920	1500
180	80	120	270	490	980	1600
210	85	130	290	520	1050	1750
230	90	135	300	540	1100	1800

¹ Regulator Capacity Tables are included to provide convenience on common applications and are not intended to establish application limitations. If your particular service conditions are not listed in the Regulator Capacity Tables, calculate the required C_v for selecting the optimum regulator size.

Regulator Capacity

Model 525 Series Pressure Reducing Regulator Capacity¹

Model 526 Series Back Pressure Regulator Capacity¹

Water (lpm)

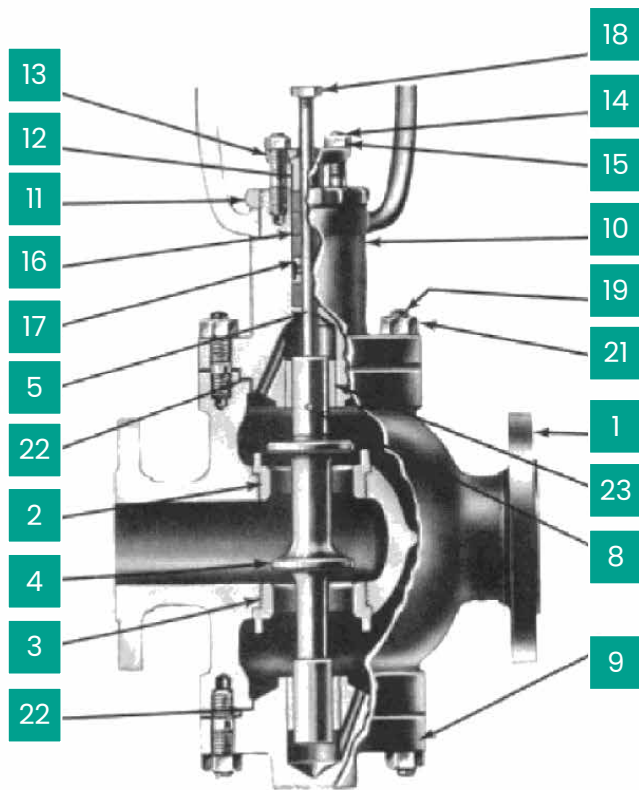
Inlet Pressure Minus Outlet Pressure barg	Rated C _v					
	6	9	21	36	75	125
0.7	68	106	246	416	871	1438
1.0	87	132	295	530	1060	1741
1.4	98	151	341	606	1249	2082
1.7	114	170	379	681	1401	2271
2.1	125	189	435	757	1514	2498
2.4	132	201	454	7995	1666	2725
2.8	144	212	492	871	1779	2877
3.1	151	227	530	908	1893	3028
3.4	159	204	549	946	1931	3142
4.1	174	265	606	1060	2120	3483
4.8	189	284	644	1136	2309	3785
5.5	204	303	700	1211	2461	4164
6.2	212	322	757	1287	2650	4391
6.9	227	341	795	1363	2839	4732
8.3	246	371	852	1476	3028	4921
9.7	265	397	908	1590	3331	5300
11.0	284	435	984	1741	3483	5678
12.4	303	454	1022	1855	3710	6057
14.5	322	492	1098	1968	3975	6624
15.9	341	511	1136	2044	4164	6814

¹ Regulator Capacity Tables are included to provide convenience on common applications and are not intended to establish application limitations. If your particular service conditions are not listed in the Regulator Capacity Tables, calculate the required C_v for selecting the optimum regulator size.

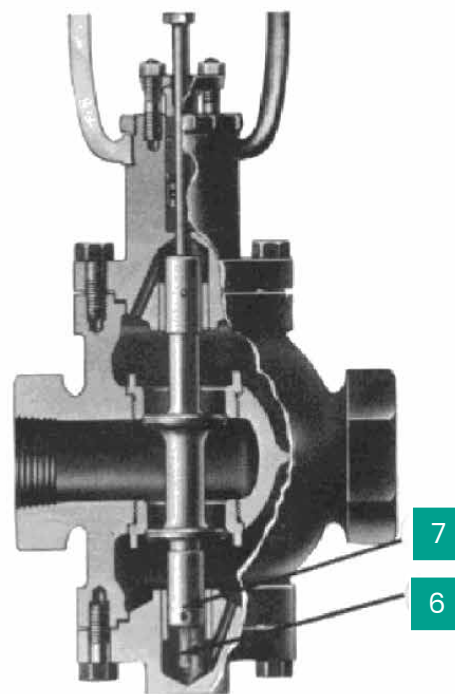
Materials of Construction

Body Sub-Assembly Standard Construction Materials

525/526 Series Standard Construction



525
Reducing Service



526
Back Pressure

Materials of Construction

Carbon Steel Construction 525/526 and 525/526EB

Valve Sizes: 0.75" to 4"
Body Ratings: ASME Class 150 to 600

Ref. No.	Temperature Range	-20°F	450°F	650°F
	Description	Materials		
1	Valve Body	Carbon Steel ASTM A216 Grade WCC		
2	Upper Seat Ring	316 St. St. ASTM 479 TY 316		
3	Lower Seat Ring	316 St. St. ASTM 479 TY 316		
4	Plug	316 St. St. ASTM 479 TY 316		
5	Plug Stem	316 St. St. ASTM 479 TY 316		
6	Plug Stop ¹	316 St. St. ASTM 479 TY 316		
7	Plug Stop Pin ¹	316 St. St. ASTM 479 TY 316		
8	Plug Pin	316 St. St. ASTM 479 TY 316		
9	Blind Head	Carbon Steel ASTM A216 Grade WCC or ASTM A105		
10	Valve Bonnet ²	Carbon Steel ASTM A216 Grade WCC or ASTM A105		
11	Drive Nut	Carbon Steel SAE 1117 or ASTM A216 GR WCC		
12	Packing Follower	Austenitic 300 Series Stainless Steel		
13	Packing Flange	Carbon Steel ASTM A105 Zinc Dichromate Plated		
14	Packing Flange Stud	304 St. St. ASTM A193 GR B8		
15	Packing Flange Nut	St. St. ASTM A194 GR 8		
17	Lantern Ring (Optional)	Austenitic 300 Series Stainless Steel		
18	Stem Locknuts	Alloy Steel ASTM A194 GR 2H Zinc dichromate plated		
19	Body Stud	Alloy Steel ASTM A193 GR B7		
21	Body Stud Nut	Carbon Steel ASTM A194 GR 2H		
22	Body Gasket	316L St. St. w/Flexible Graphite Filler (Spiral Wound)		
23	Guide Bushing	440C St. St. ASTM A276 TY 440C		
Ref. No.	Temperature Range	-29°C	232°C	343°C

1. The Plug stop (Ref. 6) and the Plug Stop Pin (Ref. 7) are installed in the bottom of the plug on model 526 back pressure valves with the 10900 series Actuator No. 3½ case (80-250 psi range) and No. 4 case (60-125 psi range) to prevent over-travel.

2. EB applies for temperature > of 450°F (232°C).

Materials of Construction

Stainless Construction 525/526 and 525/526EB

Valve Sizes: 0.75" to 4"
Body Ratings: ASME Class 150 to 600

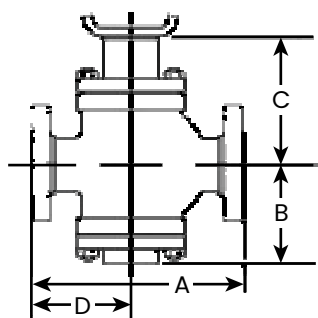
Ref. No.	Temperature Range	-20°F	450°F	650°F
	Description	Materials		
1	Valve Body	316 Stainless Steel ASTM A351 Grade CF8M		
2	Upper Seat Ring	316 St. St. ASTM 479 TY 316		
3	Lower Seat Ring	316 St. St. ASTM 479 TY 316		
4	Plug	316 St. St. ASTM 479 TY 316		
5	Plug Stem	316 St. St. ASTM 479 TY 316		
6	Plug Stop ¹	316 St. St. ASTM 479 TY 316		
7	Plug Stop Pin ¹	316 St. St. ASTM 479 TY 316		
8	Plug Pin	316 St. St. ASTM 479 TY 316		
9	Blind Head	316 Stainless Steel ASTM A351 Grade CF8M or ASTM A182 Grade F316		
10	Valve Bonnet ²	316 Stainless Steel ASTM A351 Grade CF8M or ASTM A182 Grade F316		
11	Drive Nut	Carbon Steel SAE 1117 or ASTM A216 GR WCC		
12	Packing Follower	Austenitic 300 Series Stainless Steel		
13	Packing Flange	Carbon Steel ASTM A105 Zinc Dichromate Plated		
14	Packing Flange Stud	304 St. St. ASTM A193 GR B8		
15	Packing Flange Nut	St. St. ASTM A194 GR 8		
17	Lantern Ring (Optional)	Austenitic 300 Series Stainless Steel		
18	Stem Locknuts	Alloy Steel ASTM A194 GR 2H Zinc dichromate plated		
19	Body Stud	Alloy Steel ASTM A193 GR B7 Zinc dichromate plated		
		ASTM A 193 GR B ³		
21	Body Stud Nut	Carbon Steel ASTM A194 GR 2H Zinc dichromate plated		
		ASTM A 194 GR 8 ³		
22	Body Gasket	316L St. St. w/Flexible Graphite Filler (Spiral Wound)		
23	Guide Bushing	Stellite 6 UNS 30006		
Ref. No.	Temperature Range	-29°C	232°C	343°C

1. The Plug stop (Ref.6) and the Plug Stop Pin (Ref.7) are installed in the bottom of the plug on model 526 back pressure valves with the 10900 series Actuator No. 3½ case (80-250 psi range) and No.4 case (60-125 psi range) to prevent over-travel.

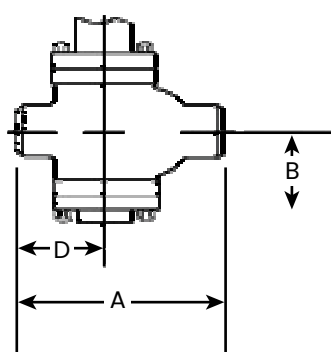
2. EB applies for temperature > of 450°F (232°C).

3. Bolting must be checked by Engineering Department.

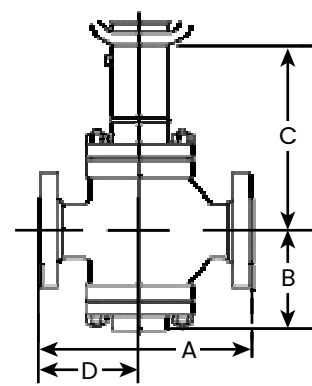
Dimensions



Flanged Ends



Socket Weld or Threaded Ends



Extension Bonnet

English Units (inches)

Valve Size		ASME Class 150 & equivalent PN		ASME Class 300 & equivalent PN				ASME Class 600 & equivalent PN				ASME Class 150-600 & equivalent PN	
inches	mm	RF		RF		RTJ		RF		RTJ		Threaded & Socket Weld	
		A	D	A	D	A	D	A	D	A	D	A	D
¾	20	7.25	3.66	7.62	3.86	8.11	4.09	8.12	4.09	8.12	4.09	6.00	2.88
1	25	7.25	3.66	7.75	3.90	8.25	4.13	8.25	4.13	8.25	4.13	6.00	2.88
1½	40	8.75	4.09	9.25	4.33	9.76	4.57	9.88	4.65	9.88	4.65	8.00	3.70
2	50	10.00	4.61	10.50	4.88	11.10	5.20	11.25	5.25	11.38	5.31	9.25	4.13
3	80	11.75	5.50	12.50	5.88	13.11	6.18	13.25	6.25	13.38	6.30	-	-
4	100	13.88	6.57	14.50	6.88	15.12	7.20	15.50	7.36	15.63	7.44	-	-

Metric Units (mm)

Valve Size		ASME Class 150 & equivalent PN		ASME Class 300 & equivalent PN				ASME Class 600 & equivalent PN				ASME Class 150-600 & equivalent PN	
inches	mm	RF		RF		RTJ		RF		RTJ		Threaded & Socket Weld	
		A	D	A	D	A	D	A	D	A	D	A	D
¾	20	184	93	194	98	206	104	206	104	206	104	153	73
1	25	184	93	197	99	210	105	210	105	210	105	153	73
1½	40	222	104	235	110	248	116	251	118	251	118	203	94
2	50	254	117	267	124	282	132	286	133	289	135	235	105
3	80	298	140	318	149	333	157	337	159	340	160	-	-
4	100	353	167	368	175	384	183	394	187	397	189	-	-

B and C Dimensions

English Units (inches)

Valve Size		ASME Class 150 – 600 & equivalent PN		
inches	mm	8	C (Std. Bonnet)	C (EB Bonnet)
¾	20	4.49	5.67	9.72
1	25	4.49	5.67	9.72
1½	40	5.39	6.02	10.67
2	50	5.98	7.20	11.42
3	80	7.80	9.29	13.11
4	100	8.11	9.49	13.74

Metric Units (mm)

Valve Size		ASME Class 150 – 600 & equivalent PN		
inches	mm	8	C (Std. Bonnet)	C (EB Bonnet)
¾	20	114	144	247
1	25	114	144	247
1½	40	137	153	271
2	50	152	183	290
3	80	198	236	333
4	100	206	241	349

500 Series Weights

Body Sub-assemblies (lbs)

Valve Size		ASME Class 150-600 & equivalent PN	ASME Class 150 & equivalent PN	ASME Class 300 & equivalent PN	ASME Class 600 & equivalent PN
inches	mm	Threaded & Socket Weld	Flanged		
¾	20	40	79	79	90
1	25	44	86	86	99
1½	40	44	106	110	119
2	50	51	150	159	174
3	80	110	245	256	269
4	100	192	304	309	335

Body Sub-assemblies (kg)

Valve Size		ASME Class 150-600 & equivalent PN	ASME Class 150 & equivalent PN	ASME Class 300 & equivalent PN	ASME Class 600 & equivalent PN
inches	mm	Threaded & Socket Weld	Flanged		
¾	20	18	36	35	41
1	25	20	39	39	45
1½	40	20	48	50	54
2	50	23	68	72	79
3	80	50	111	116	122
4	100	87	138	140	152

Direct Sales Office Locations

Australia

Brisbane
Phone: +61-7-3001-4319

Perth
Phone: +61-8-6595-7018

Melbourne
Phone: +61-3-8807-6002

Brazil

Phone: +55-19-2104-6900

China

Phone: +86-10-5738-8888

France

Courbevoie
Phone: +33-1-4904-9000

India

Mumbai
Phone: +91-22-8354790

New Delhi

Phone: +91-11-2-6164175

Italy

Phone: +39-081-7892-111

Japan

Tokyo
Phone: +81-03-6871-9008

Korea

Phone: +82-2-2274-0748

Malaysia

Phone: +60-3-2161-03228

Mexico

Phone: +52-55-3640-5060

Russia

Veliky Novgorod
Phone: +7-8162-55-7898

Moscow

Phone: +7-495-585-1276

Saudi Arabia

Phone: +966-3-341-0278

Singapore

Phone: +65-6861-6100

South Africa

Phone: +27-11-452-1550

South & Central America and the Caribbean

Phone: +55-12-2134-1201

Spain

Phone: +34-935-877-605

United Arab Emirates

Phone: +971-4-8991-777

United Kingdom

Phone: +44-7919-382-156

United States

Houston, Texas

Phone: +1-713-966-3600

Find the nearest local Channel Partner in your area:
valves.bakerhughes.com/contact-us

Tech Field Support & Warranty:

Phone: +1-866-827-5378
valvesupport@bakerhughes.com

valves.bakerhughes.com

Copyright 2020 Baker Hughes Company. All rights reserved. Baker Hughes provides this information on an "as is" basis for general information purposes. Baker Hughes does not make any representation as to the accuracy or completeness of the information and makes no warranties of any kind, specific, implied or oral, to the fullest extent permissible by law, including those of merchantability and fitness for a particular purpose or use. Baker Hughes hereby disclaims any and all liability for any direct, indirect, consequential or special damages, claims for lost profits, or third party claims arising from the use of the information, whether a claim is asserted in contract, tort, or otherwise. Baker Hughes reserves the right to make changes in specifications and features shown herein, or discontinue the product described at any time without notice or obligation. Contact your Baker Hughes representative for the most current information. The Baker Hughes logo and Masonellan are trademarks of Baker Hughes Company. Other company names and product names used in this document are the registered trademarks or trademarks of their respective owners.