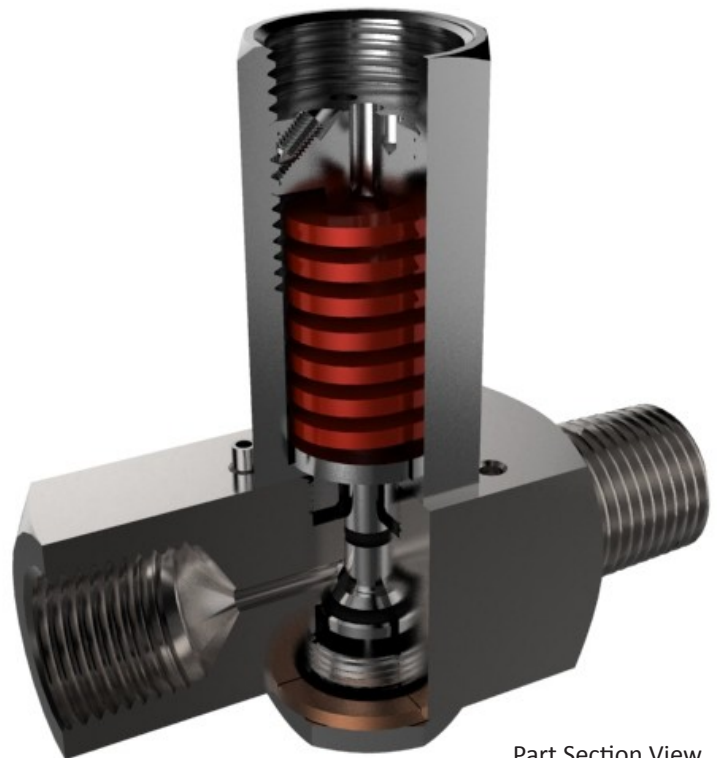


Features

- Over range protector designed to protect gauges instruments etc, from surges in pressure.
- Available in shut-off ranges from 0.4 bar to 400 bar.
- Maximum inlet pressure 600 bar.
- Bonnet locking pin - safely locks bonnet to body.
- Maximum temperature 80°C, for ranges 0.4 - 2.5 bar and 110°C, for ranges 2.5 - 400 bar.
- Can be supplied to NACE MR-01-75-Latest edition.
- Materials:- 316 St.St., Monel, Hastelloy etc.
- Standard seals are Viton, alternatives are also available.



Part Section View

How To Order

Part No = ILORP-**Inlet Code** M or F-**Outlet Code** M or F-**Material Code** -**Pressure Range Code**

Example = ILORP-07M-07F-AI-M3

ILORP-½" NPT Male-½" NPT Female-316 St.St.-20 to 70 bar

Inlet & Outlet Codes

03 = ¼" NPT	04 = ¼" BSPP	13 = ¼" BSPT
05 = ⅜" NPT	06 = ⅜" BSPP	14 = ⅜" BSPT
07 = ½" NPT	08 = ½" BSPP	15 = ½" BSPT
09 = ¾" NPT	10 = ¾" BSPP	16 = ¾" BSPT
11 = 1" NPT	12 = 1" BSPP	17 = 1" BSPT

Material Codes

AI = 316 St.St.	TI = Titanium
MO = Monel	DU = Duplex St.St. UNS S31803
HA = Hastelloy	SD = Super Duplex St.St. UNS S32760
IN = Incolloy 825	

Pressure Range Codes

Note: Other High & Low pressure ranges available on request	M1 = 2.5 TO 6 bar
	M2 = 6 to 20 bar
	M3 = 20 to 70 bar
	M4 = 70 to 200 bar
	M5 = 200 to 400 bar

Dimensions

