

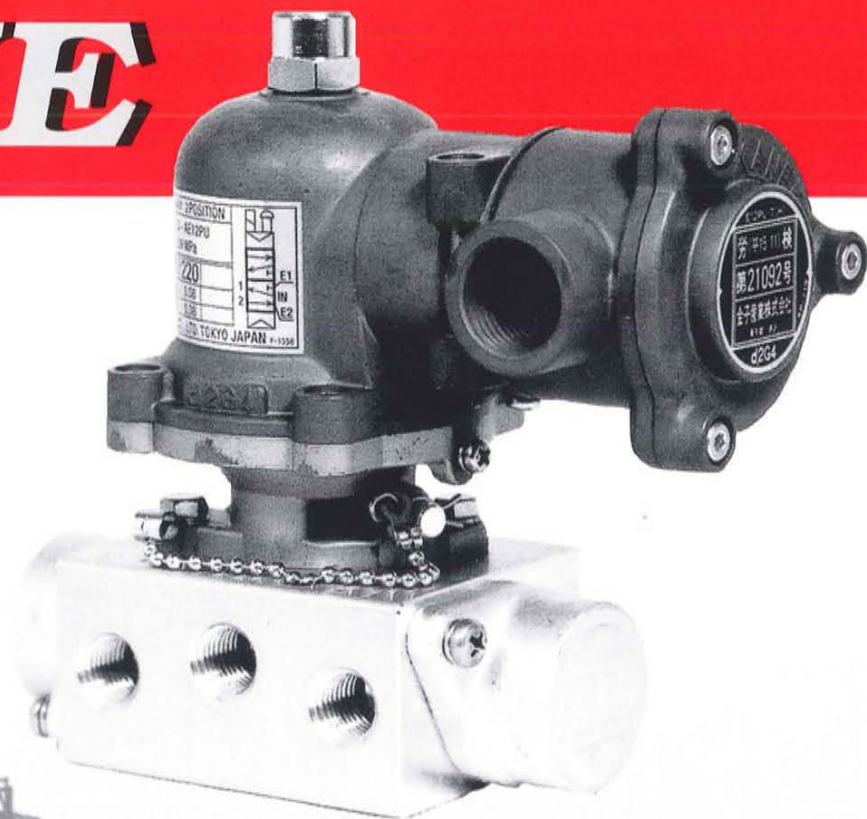
PNEUMATIC SOLENOID VALVE

KANEKO'S

3Way,4Way Solenoid Valve

Manual Reset Solenoid Valve

General Purpose & Explosion-
proof Type



Silent Technology
KANEKO

AC, DC. DIRECT ACTING. ALUMI BODY

SPECIFICATIONS

TYPE : **MOOU**
PIPE SIZE : Rc 1/8", 1/4", 3/8"
ORIFICE SIZE&WORKING PRESSURE:
 $\phi 1.6$...0~0.7Mpa
 $\phi 3.0$...0~0.4Mpa
Cv FACTOR : 0.084($\phi 1.6$), 0.22($\phi 3.0$)
WEIGHT(Kg) : General purpose Type 0.6Kg.
 Explosion-proof Type 0.9Kg.
MEASUREMENT(cft): Ditto 0.016 and 0.04

Solenoid Enclosure, Ambient Temperature & Coil Same to Series M15G.

STANDARD VOLTAGE

V/Hz	Inrush A	Holding A		V	A
100/50	0.27	0.16		DC	24
100/60	0.25	0.13	100		0.07
200/50	0.14	0.08	110		0.08
200/60	0.13	0.07			
220/60	0.13	0.08			

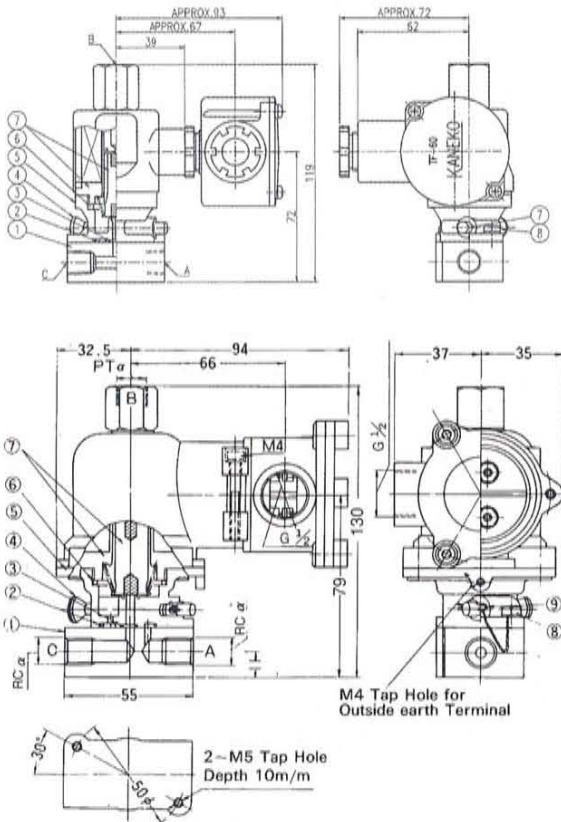


GENERAL PURPOSE Type



EXPLOSION-PROOF Type

No.	NAME OF PARTS	MATERIAL
1	BODY	A6061
2	"O" RING	NBR
3	"O" RING	NBR
4	MANUAL BUTTON	A5056
5	MOUNTING STAND OF SOLENOID	ADC
6	"O" RING	NBR
7	SOLENOID ASS.Y	
8	SCREW W/SW	SUS304
9	SNAP	SUS304



■ Class H Coil: Roken No. 21092-d2G4

MOOU SERIES DIRECT ACTING TYPE		
Function	U	Universal Acting TYPE
Universal type is available following 4 usage		
Normally closed	{ C-Inlet B-Exhaust	A-Outlet
Normally open	{ C-Inlet B-Exhaust	A-Outlet
Inlet-2 Outlet-1	{ B&C-Inlet A-Exhaust	
Inlet-1 Outlet-2	{ A-Inlet B&C-Outlet	

Pipe Size	Orifice	Solenoid Enclosure	Moou Series Model No.	
			AC	DC
1/8	1.6	General purpose	MOOU-6-A12PG	MOOU-6-D12PG
	3.0		MOOU-6-A12PG-01	MOOU-6-D12PG-01
	1.6	Explosion proof	MOOU-6-AE12PU	MOOU-6-DE12PU
	3.0		MOOU-6-AE12PU-01	MOOU-6-DE12PU-01
1/4	1.6	General purpose	MOOU-8-A12PG	MOOU-8-D12PG
	3.0		MOOU-8-A12PG-01	MOOU-8-D12PG-01
	1.6	Explosion proof	MOOU-8-AE12PU	MOOU-8-DE12PU
	3.0		MOOU-8-AE12PU-01	MOOU-8-DE12PU-01
3/8	1.6	General purpose	MOOU-10-A12PG	MOOU-10-D12PG
	3.0		MOOU-10-A12PG-01	MOOU-10-D12PG-01
	1.6	Explosion proof	MOOU-10-AE12PU	MOOU-10-DE12PU
	3.0		MOOU-10-AE12PU-01	MOOU-10-DE12PU-01