

### XMF Series Insert Pipe Type Pulse Valve



Ordering Code

**X** XPCPC Product  
**MF** Pulse Jet Valve  
**Q** Type code  
 Blank: Solenoid control  
 Q: Pneumatic control  
**25** Orifice Solenoid  
**DD** Insert Pipe Type  
**EX** Wiring Form  
 Blank: Normal Type  
 EX: Ex-proof Type

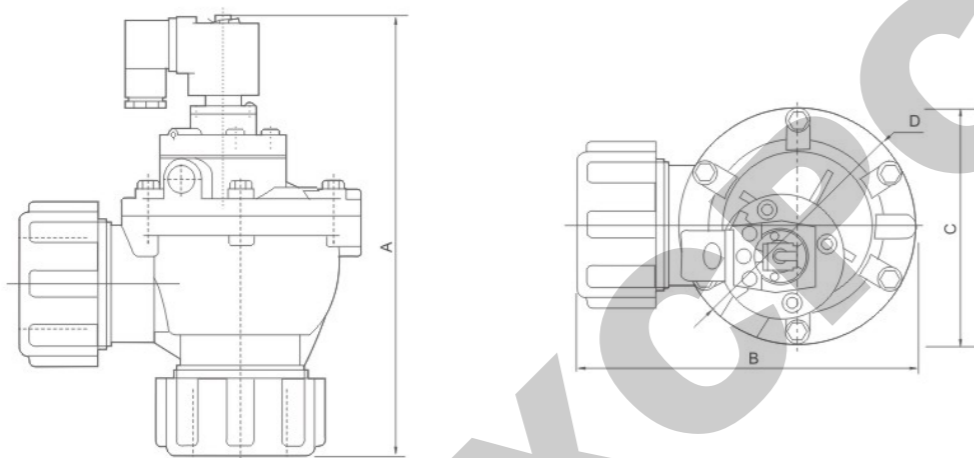
#### Speciality

Adopt international advanced technology  
 Used for dust remover  
 Key parts all made of imported materials  
 Pneumatic control type, solenoid control type, ex-proof solenoid control type for choose.  
 Insert pipe style, much easier to be mounted.

#### Specification

Model	XMF-25DD	XMF-45DD
Working Pressure	0.3~0.8MPa	
Ambient Temperature	-5~55°C	
Relatively Humidity	<85%	
Working Medium	Clean Air	
Voltage	AC110V/AC220V/DC24V	
Diaphragm Life Cycles	Over One Million Cycles	
Orifice(mm)	φ25	φ40
Connection Port	φ35	φ50

#### Overall Dimensions



#### Dimension Sheet

Model	A	B	C	D
XMF-25DD	189	131	82.5	-
XMF-45DD	237	179.5	-	φ126

### XCP Series Plastic Actuator Bevel Valve

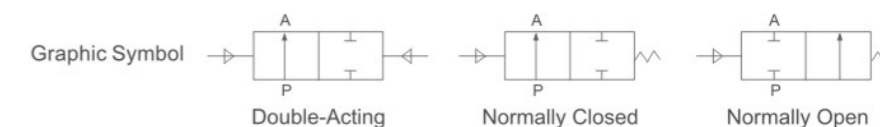


Ordering Code

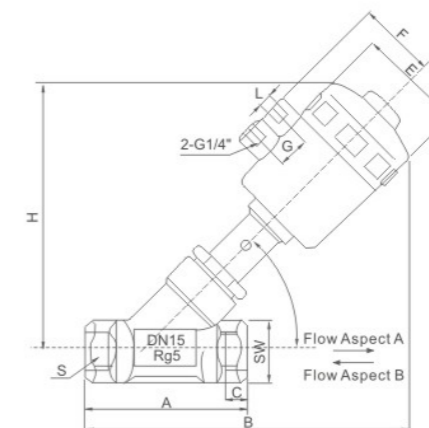
**XCP** Series Code  
 XCP Series Plastic Bevel Valve  
**15** Port Size  
 10: G3/8"  
 15: G1/2"  
 20: G3/4"  
 25: G1"  
 32: G1-1/4"  
 40: G1-1/2"  
 50: G2"  
 65: G2-1/2"  
 80: G3"  
**50** Actuator Size  
 40: 40mm  
 50: 50mm  
 63: 63mm  
 80: 80mm  
 100: 100mm  
**S** Action Type  
 S: Single Action  
 D: Double Action  
**C** Control Function  
 C: Normal Close (Standard)  
 O: Normal Open  
**□** Body Material  
 Blank: S.S 304 (Standard)  
 316: S.S 316  
 316L: S.S 316L

#### Specification

Model	10	15	20	25	32	40	50	65	80
Port size	G3/8"	G1/2"	G3/4"	G1"	G1-1/4"	G1-1/2"	G2"	G2-1/2"	G3"
KV Value(m <sup>3</sup> /h)	3.7	4.2	9	19	33	42	59	90	135
Max. Working Pressure(Mpa)	0~1.6	0~1.6	0~1.1	0~1.1	0~1.5	0~1.25	0~1.0	0~1.6	0~1.6
Min. Pilot Pressure(Mpa)	0.39	0.39	0.39	0.42	0.5	0.44	0.4	0.4	0.4
Actuator	40	50	50	50/63	63	63	63/80	80	100
Medium Temperature	-10~+180°C								
Flow Direction	A(Flow Direction Below The Seat) or B(Flow Direction above The Seat)								



#### Overall Dimensions



#### Dimension Sheet

Orifice Size (mm)	Port size	Actuator Size (φ mm)	A	B	C	φE	F	H	S	SW	G	L
10	G3/8"	40	65	142	12	53	30	85	G3/8"	25	20	G1/8"
15	G1/2"	50	76	168	14	64	44	115	G1/2"	28	24	G1/4"
20	G3/4"	50	92	175	16	64	44	131	G3/4"	32	24	G1/4"
25	G1"	63	103	218	21	80	54	166	G1"	39	24	G1/4"
32	G1-1/4"	63	112	228	19	80	54	172	G1-1/4"	49	24	G1/4"
40	G1-1/2"	63	129	232	21	80	54	174	G1-1/2"	56	24	G1/4"
50	G2"	80	143	263	27	100	62	202	G2"	68	24	G1/4"
65	G2-1/2"	80	186	280	28	100	62	209	G2-1/2"	84	24	G1/4"
80	G3"	100	218	355	34	125	71	268	G3"	101	30	G1/4"