



Pressure transducers DeltaFox DMU 11 D Version for differential pressure measurement



Benefits

- Compact design
- High overload safety
- Mechanically robust and reliable, suitable for applications involving dynamic pressure changes as well as shock and vibration

Application

For electronic differential pressure measurement in industrial applications. For corrosive gaseous and liquid media which are not highly viscous and do not crystallise.

Technical specifications

Measuring range

See ordering table

Operating temperature range

Medium: -25/+125 °C

Ambient: -25/+85 °C

Storage: -40/+100 °C

Dynamic characteristics

Response time: < 5 ms

Process connection

2 x G $\frac{1}{2}$ B EN 837-1/7.3

Material

Housing: Aluminium, eloxed, black

Pressure connection: Stainless steel 316 L

Diaphragm: Stainless steel 316 L

Seal: FKM (Viton)

Supply voltage

DC 12 – 36 V

Output signal

2-wire, 4–20 mA

Load

$R_{Max} = [(UB - UB_{Min})/0.02 A] \Omega$

Current input

< 25 mA

Electrical protection

Short circuit proof and protected against reverse polarity

Electrical connection

Connector and junction box as per ISO 4400 (DIN 43650-A)

Degree of protection

IP 65 (EN 60529)

CE conformity

EMC Directive 2014/30/EU

RoHS Directive 2011/65/EU

Pressure Equipment Directive 2014/68/EU

Scope of delivery

- Pressure measuring instrument
- Mounting bracket



Options

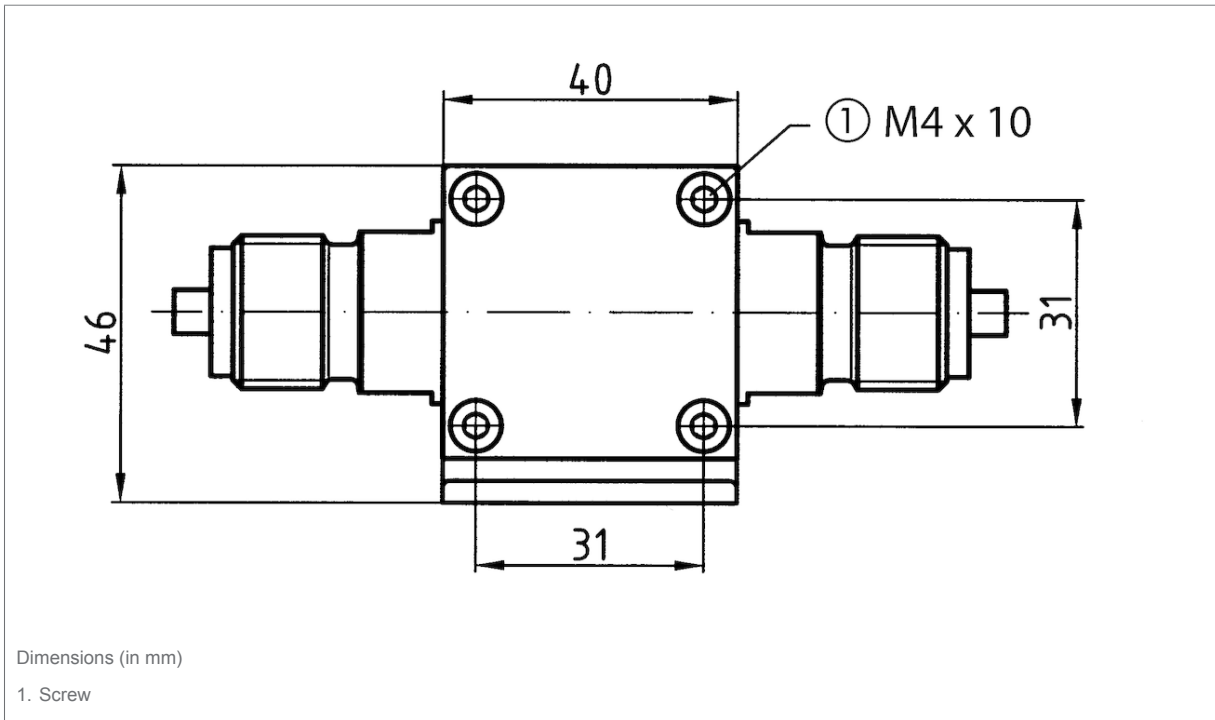
- Other process connections
- Other electrical connections
- Other seal materials
- Other output signals
- Fitting of chemical seal

Detail views

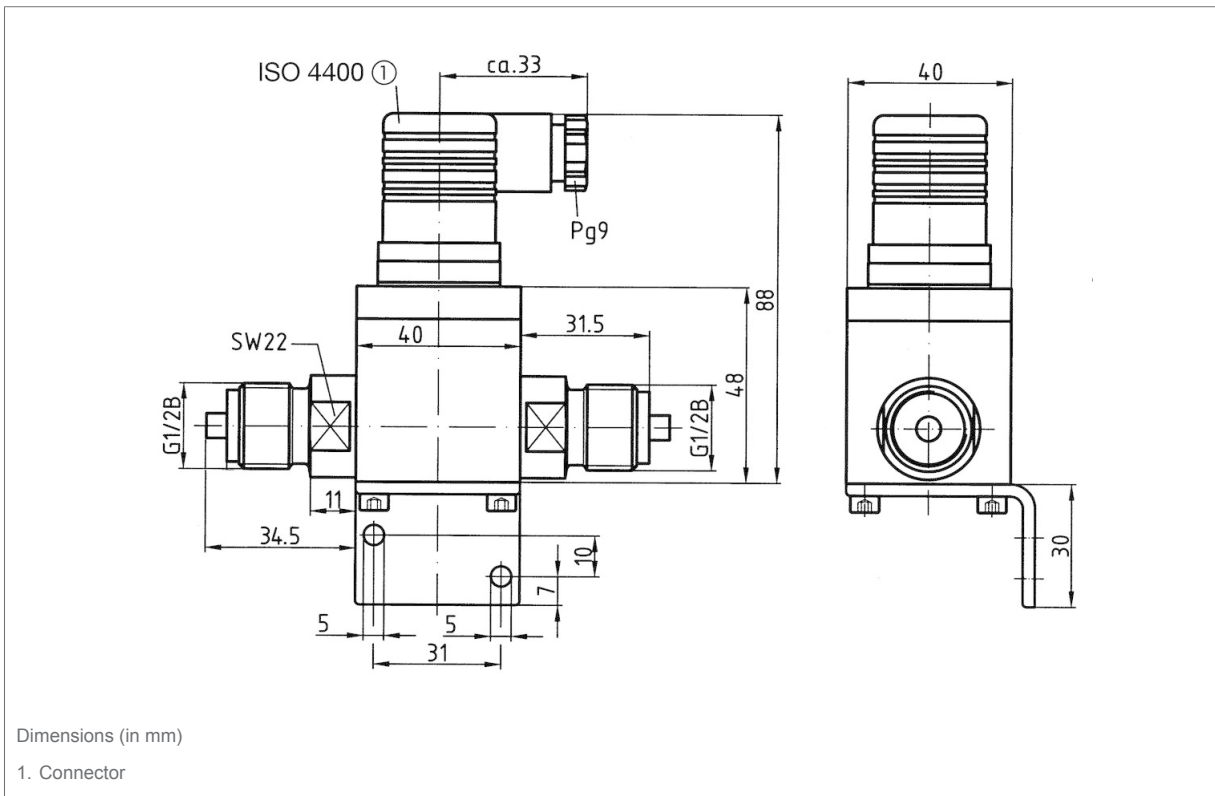




DMU 11 D - connection 2 x G $\frac{1}{2}$ B (EN 837)



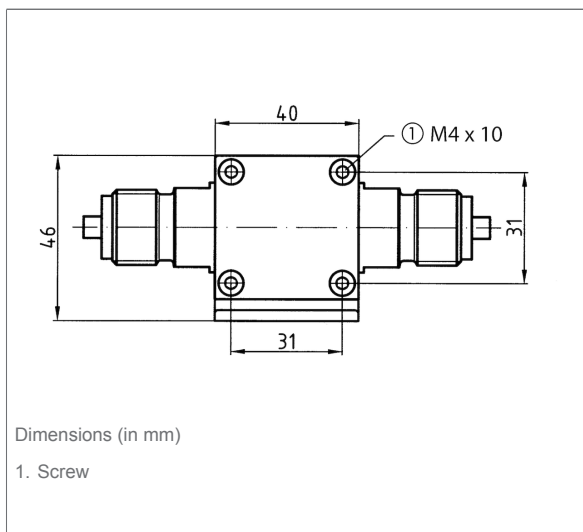
DMU 11 D - connection 2 x G $\frac{1}{2}$ B (EN 837)



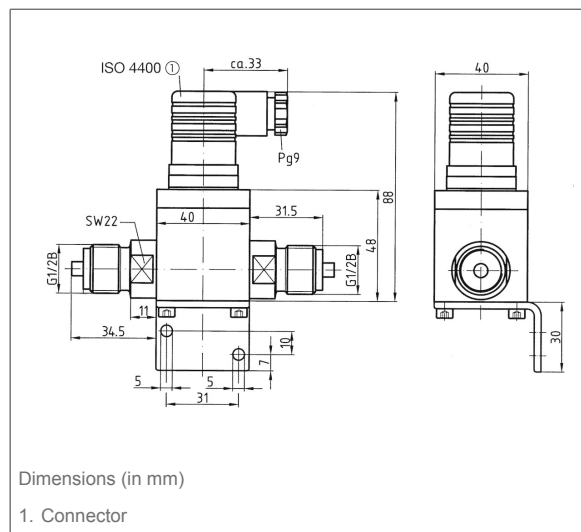


Technical drawings

DMU 11 D - connection 2 x G $\frac{1}{2}$ B (EN 837)



DMU 11 D - connection 2 x G $\frac{1}{2}$ B (EN 837)



Versions

Type	Connection	Measuring range	Part no.
DeltaFox DMU 11 D	2 x G $\frac{1}{2}$ B EN 837-1/7.3	0/40 mbar	31830
DeltaFox DMU 11 D	2 x G $\frac{1}{2}$ B EN 837-1/7.3	0/60 mbar	31831
DeltaFox DMU 11 D	2 x G $\frac{1}{2}$ B EN 837-1/7.3	0/100 mbar	31813
DeltaFox DMU 11 D	2 x G $\frac{1}{2}$ B EN 837-1/7.3	0/160 mbar	31814
DeltaFox DMU 11 D	2 x G $\frac{1}{2}$ B EN 837-1/7.3	0/250 mbar	31815
DeltaFox DMU 11 D	2 x G $\frac{1}{2}$ B EN 837-1/7.3	0/400 mbar	31832
DeltaFox DMU 11 D	2 x G $\frac{1}{2}$ B EN 837-1/7.3	0/600 mbar	31833
DeltaFox DMU 11 D	2 x G $\frac{1}{2}$ B EN 837-1/7.3	0/1 bar	31816
DeltaFox DMU 11 D	2 x G $\frac{1}{2}$ B EN 837-1/7.3	0/1.6 bar	31834
DeltaFox DMU 11 D	2 x G $\frac{1}{2}$ B EN 837-1/7.3	0/2.5 bar	31817
DeltaFox DMU 11 D	2 x G $\frac{1}{2}$ B EN 837-1/7.3	0/4 bar	31835
DeltaFox DMU 11 D	2 x G $\frac{1}{2}$ B EN 837-1/7.3	0/6 bar	31818
DeltaFox DMU 11 D	2 x G $\frac{1}{2}$ B EN 837-1/7.3	0/10 bar	31836
DeltaFox DMU 11 D	2 x G $\frac{1}{2}$ B EN 837-1/7.3	0/16 bar	31837



Blue part no. = in-stock items