

## ■ Product Description



ULM-1000C is an ultrasonic non-contacting level meter designed sensor and transmitter in one housing. The measurement range is 6 meters, 10 meters. ULM-1000C is two wire loop-powered product and provides the user friendly design so it is very convenience operating and installation. Also simple maintenance expects saving the maintenance costs. The quality optimized for various applications enables you the effective level monitoring and your facilities running safely and reliably.



## ■ Features

- Compact Size
- User Friendly menu
- 5 key buttons for operation
- Built-in temperature compensation sensor
- Two wire loop-powered

## ■ Specification

Dimension	Overall	117(D)×209(H) mm
Process Connection		2" PF
Weight		Nominal 1.5Kg
Sensor Material		Polypropylene
IP Rating		IP67
Temperature		-20℃~70℃ (-4°F~158°F)

Measuring Range	0.3~6 m (0.98 ~ 19.6ft)
	0.3~ 10m(0.98~32.8ft)
Accuracy	0.2% of F.S
Display Resolution	1mm
Beam Angle	8° at -3dB
Damping Rate	Adjustable 0.1m/min to 100m/min
Temperature Compensation	Built-in temperature sensor

Analog Output	4~20mA, 550Ω at DC24V
Display	5 Digit Numeric LCD
Power Supply	DC20~30V
Supply Current	Less than 0.022A

Certification CE

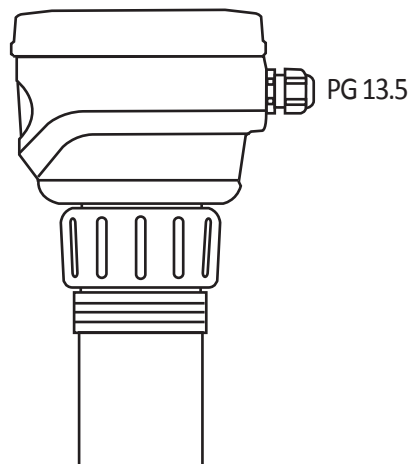
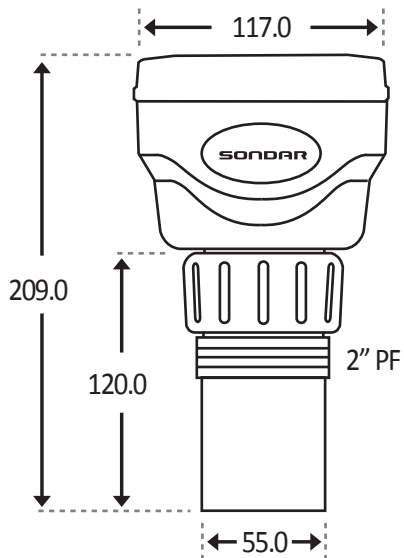
Warranty 3 years

\* The specification is subject to change without the prior notice.

Ultrasonic Level Meter  
**ULM-1000C**

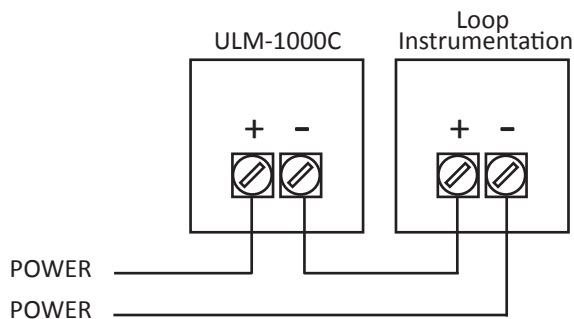
**SONDAR™**

■ Dimension



[unit: mm]

■ Wiring



■ Ordering Code

ULM-1000C Ordering Code	
Range	
1	06 meters
2	10 meters
Power Supply	
B	DC 20 to 30V
Communication	
N	none
Accessory-Flange	
N	none
1	80A
2	100A
3	150A
4	200A
T*	Tailor-made
Flange standard	
D	DIN
A	ANSI
J	JIS
Pipe extension	
N	none
T*	Tailor-made
<b>ULM10C-</b>	

T\* Specify the exact size.