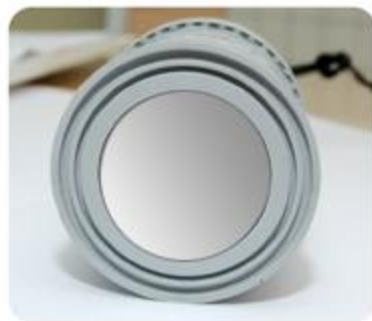


Sondar Ultrasonic Level Meter SLM1000 Series

SONDAR



The SONDAR SLM800S, **1200S** and 1500S are a highly developed ultrasonic level measurement system, which provides in non contacting level measurement for a wide variety of applications in liquid and solid. The SLM1000 Series consists of a micro-processor based controller and sensors that can be mounted up to 8m, 12m and 15m respectively according to field requirement.



Features

- Single point, long-range measurement
- RS232, RS485 (Option)
- Explosion-proof sensor
- Level to volume conversion and monitoring
- Beam focusing sensor (Condensation prevention)

Technical Specifications

Physical

Dimension

Overall 240(D)x185(H) mm
 Transducer 67(D)x160(H) mm(XDS800)
 88(D)x100(H) mm
 101(D)x120(H) mm

Mounting

3/4" PF(XDS800) 1" (XDS1200,XDS1500)

Weight

Nominal 3.5Kg

Sensor Material

PP

Environmental

IP Rating

IP68(Sensor)
 IP65(Controller)

Temperature

-20°C~70°C(Sensor)
 -20°C~60°C(Controller)

Pressure

Up to 2 Bar

Certification

CE

Performance

Accuracy

0.25% of measured range

Resolution

1mm

Measuring range

0.3m~8m (XDS800)
0.5m~12m, 15m(XDS1200/XDS1500)

Beam Angle

5° at -3dB

Damping Rate

Adjustable 0.1m/min to 100m/min

Temperature Compensation

fully compensated

Outputs

Analog Output

4~20mA into max 600 Ω

Communication

RS232, RS485 (Option)

Supply

Power Supply

AC90~260V, DC 12 ~30V(option)

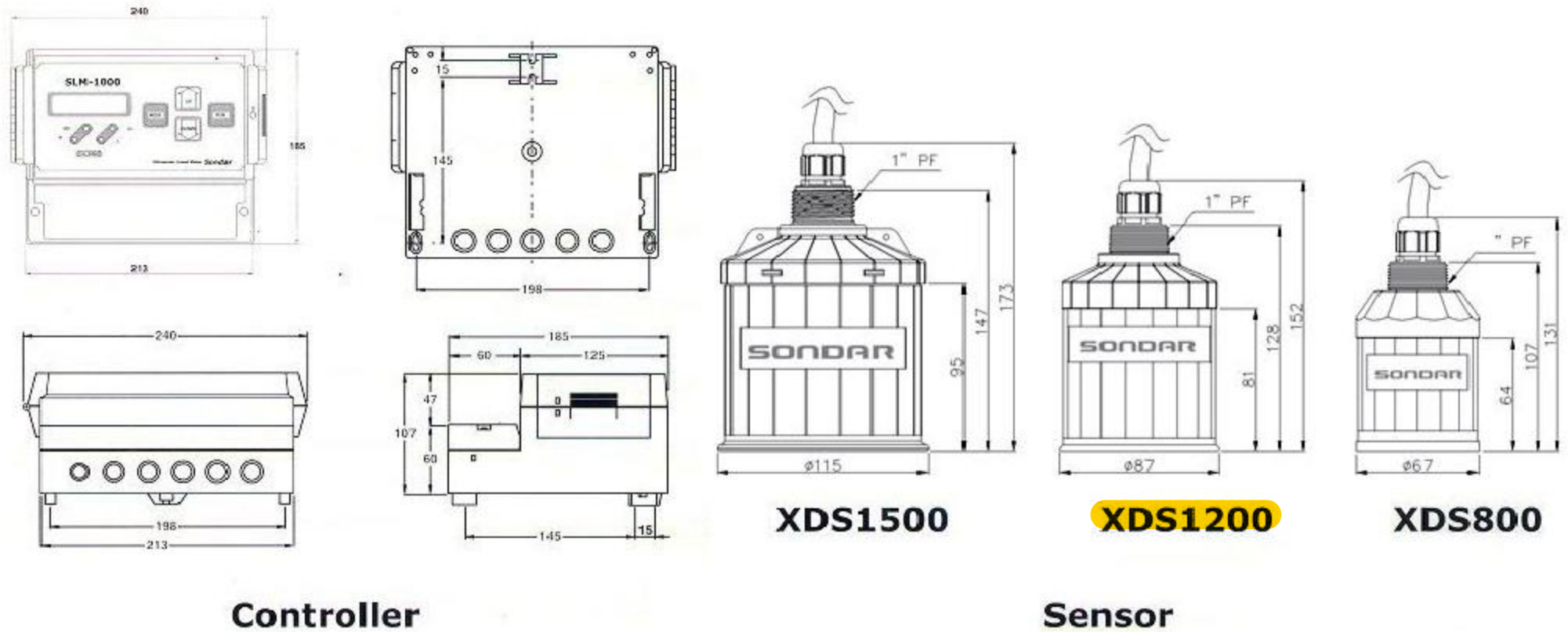
Choice of Unit

SLM1000 (Controller) + XDS800 = SLM800S
 + **XDS1200** = **SLM1200S**
 XDS1500 = SLM1500S

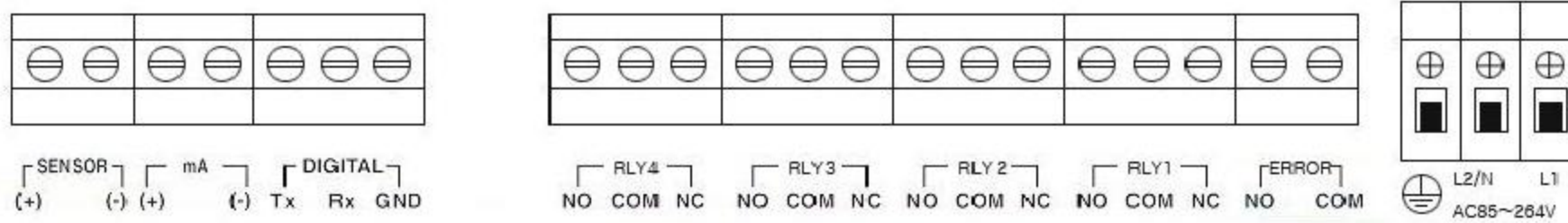
Sondar Ultrasonic Level Meter SLM1000 Series

SONDAR

Dimensions



Technical Connection



Ordering Code

