

B1X, B2X Pressure Switch

Explosion Proof Bourdon Tube

B1X, B2X Series



- ✦ Explosion Proof Housing
- ✦ High Accuracy
- ✦ Dual Switching Capability
- ✦ High Reliability
- ✦ ATEX Approved
- ✦ Optional Adjustable Deadband
- ✦ NEMA 4, 7 & 9

Barksdale's B1X and B2X Explosion Proof Bourdon

Tube Pressure Switches offer instrument class accuracy, making them an ideal solution to your hazardous location pressure control needs when accuracy is critical. Built in over travel stops allow for higher proof pressures than most other pressure switch technologies. Setpoints are easily adjusted via an internal adjustment screw. Available in single and dual circuit configurations, **Bourdon Tube Pressure Switches** are adaptable for use in a wide range of industrial applications. A variety of limit switches is available to allow for a multitude of electrical switching conditions. For applications requiring a highly accurate switch in a highly durable package, **Barksdale Bourdon Tube Pressure Switches** are the ideal solution.

Barksdale Exceeding Your Expectations Through Our People, Products and Performance

CONTROL PRODUCTS

CRANE Barksdale, Inc./Barksdale GmbH
A Subsidiary of Crane Co.

B1X/B2X Pressure Switch

With Barksdale - Pressure's No Problem

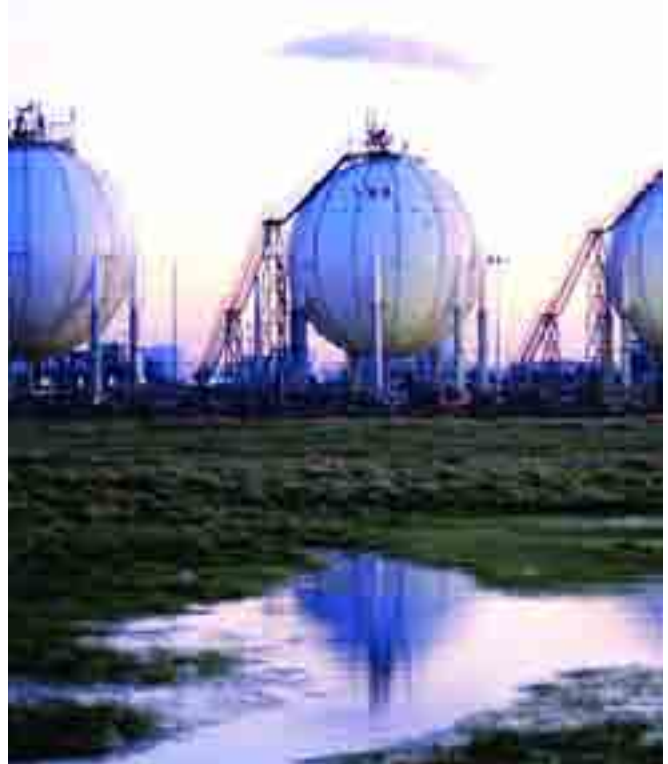
As a recognized leader in the manufacture of pressure product solutions, we meet the demanding requirements of our customers. From vacuum to 18,000 psi, Barksdale has pressure switches for a variety of applications — from transformers to natural gas compressors to beverage dispensers – and more!

Barksdale's Explosion Proof Bourdon Tube Pressure Switches provide an ideal solution for your hazardous location switching needs in applications requiring high accuracy in a highly durable package. Housed in a rugged aluminum enclosure, **Bourdon Tube Pressure Switches** can monitor, control, and switch pressures from 50 to 7,200 psi. Setpoint adjustment is easily accomplished via an integrated internal adjustment screw – no special tools are required – and a tamper resistant cover prevents inadvertent setpoint changes. The **Bourdon Tube Series** is economically priced, and offers time proven technology for the ultimate in accuracy and reliability.

Bourdon Tube Switch Applications

With its instrument class accuracy and highly reliable design, **Barksdale Explosion Proof Bourdon Tube Pressure Switches** provide an outstanding switching solution for pressures up to 7,200 psi, making them ideal for use in:

- Power Plants
- Water Pumps
- Blow Out Preventer (BOP)
- Pneumatic Devices
- General Industrial Applications



Need Something Special?

If you have special product requirements, we can help. Barksdale specializes in custom design solutions to meet your needs. Our reputation is built on creating custom products for customers committed to getting exactly what they need. We have design engineers and technical specialists who are experts in solving your unique pressure problems. Our technology and resources are at your disposal.

Need More Information?

Call us. We are only a phone call away.
Toll-Free: 1-800-835-1060.

Barksdale
CONTROL PRODUCTS

B1X/B2X Pressure Switch

Electrical Characteristics All models incorporate Underwriters Laboratories, Inc. and CSA Listed single pole double throw snap-action switching elements.

Performance Characteristics

Accuracy ± 0.5% of the adjustable range

Switch Type SPDT Snap Action; single or dual circuit

Rating 10 Amps @ 125/250 VAC
3 Amps @ 480 VAC (standard)

Adjustment Internal Adjustment Screw

Physical

Shipping Weight 8.5 lbs. approximate

Wetted Parts

Process Fitting & Bourdon Tube 316 Series Stainless Steel

Enclosure Die-cast Aluminum

Ratings NEMA 4, 7, 9

Pressure Connection Models with proof pressures up to 7,200 psi: 1/4" NPT Female; Models with higher pressure ranges: Superpressure Fitting for 1/4" O.D. tube

Electrical Connection Internal terminal strip via conduit connection (1/2" NPT on B1X models, 3/4" NPT on B2X models)

Adjustment Instructions Turn adjustment screw clockwise to lower actuation point

Approvals

UL/CSA UL File No.#E37043;
CSA File No. #LR22354
Hazardous Locations, Class I: Division I, Groups B, C, & D; Class II Groups E, F, & G

PED (European) Compliant to PED 97/23/EC

ATEX Compliant to EExd IIC T6;
(Optional) EC Certificate No. LCIE ATEX 6027 X

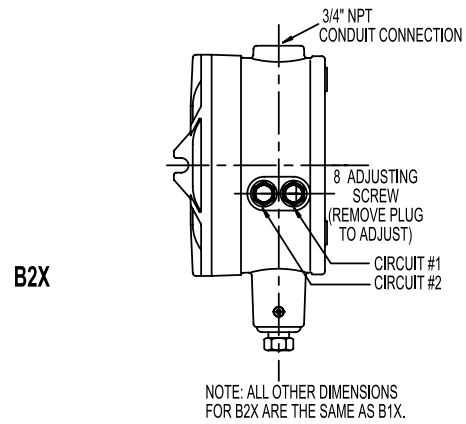
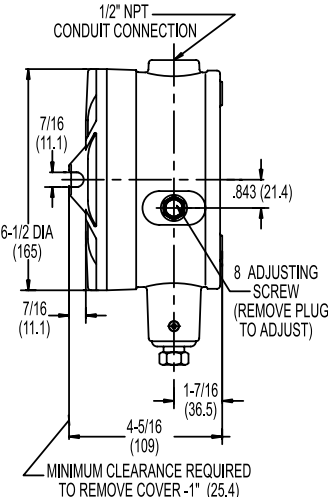
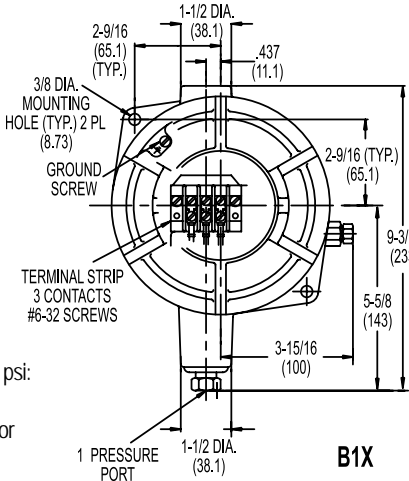
Environmental

Temperature Range

Operating -65° to +165°F (-29° to +74°C)

- Consult Factory for These Options**
- Gold Contact Limit Switch; 1 A @ 125 VAC
 - 1/2" NPT female process connection
 - Cleaned for Oxygen service – consult factory for details
 - NEMA 4X enclosure – polyurethane paint and stainless steel external screws
 - Adjustable deadband
 - Temperature compensation and pre-cycle
 - Hermetically sealed limit switch

Wiring Code		
Lead	Circuit 1	Circuit 2
Normally Closed	Blue	Orange
Normally Open	Red	Yellow
Common	Purple	Brown



B1X, B2X Pressure Switch

Explosion Proof Bourdon Tube

B1X, B2X Series

Series	B1X	Single Setpoint
	B2X	Dual Setpoint
Limit Switch	-A	10 Amps @ 125/250 VAC; 3 Amps @ 480 VAC; 0.5 Amps @ 24 VDC Standard for -12, -32, -48 and -72 pressure ranges
	-H	10 Amps @ 125/250 VAC; 3 Amps @ 480 VAC Standard for -20 pressure range
	-J	10 Amps @ 125/250 VAC; 3 Amps @ 480 VAC; 0.5 Amps @ 24 VDC (consult sales drawing for deadband values)
	-M	10 Amps @ 125/250 VAC; 3 Amps @ 480 VAC; 1 Amp @ 24 VDC (consult sales drawing for deadband values)
	-S	15 Amps @ 125/250/480 VAC; 5 Amps @ 24 VDC; 0.05 Amps @ 125 VDC; .03 Amps @ 250 VDC (consult sales drawing for deadband values)
	-GH	1 Amp @ 125 VAC; 1 Amp @ 24 VDC Gold Contact (consult sales drawing for deadband values)
	-AA	Hermetically sealed; 4 Amps @ 125/250 VAC (consult sales drawing for deadband values)
	-CC	Hermetically sealed; 10 Amps @ 125/250 VAC (consult sales drawing for deadband values)
	-HH	Hermetically sealed; 5 Amps @ 125/250 VAC (consult sales drawing for deadband values)

Pressure Range	Adjustable Range				Approx. Deadband (Actuation Value) psi-bar	Proof Pressure psi (bar)
	Decreasing - psi (bar)		Increasing - psi (bar)			
	Min	Max	Min	Max		
12	50 (3.3)	1173 (78)	77 (5.1)	1200 (80)	11 - 27 (.7 - 1.8)	1800 (120)
20	160 (10.6)	1961 (131)	199 (13)	2000 (133)	16 - 39 (1.1 - 2.6)	4800 (320)
32	240 (16)	3115 (208)	325 (22)	3200 (213)	40 - 85 (2.7 - 5.7)	7200 (480)
48	240 (16)	4715 (321)	325 (22)	4800 (327)	40 - 85 (2.7 - 5.7)	7200 (480)
72	600 (40)	6650 (443)	1150 (77)	7200 (480)	275 - 550 (18 - 37)	18000 (1200)

Bourdon Tube	SS	Stainless steel bourdon tube
Options	-P2	1/2" NPT Female pressure fitting
	-FX	NEMA 4X enclosure; polyurethane painted
	-TC	Temperature stabilization and pre-cycle
	-SXXX	Factory pre-set (consult factory)

Example: B1X-H32SS-P2

Miscellaneous:	
Paper Tag	\$5.00
Metal Tag	\$10.00

Barksdale

CONTROL PRODUCTS

3211 Fruitland Avenue • Los Angeles, CA 90058 • ☎ 800-835-1060 • Fax: 323-589-3463 • www.barksdale.com